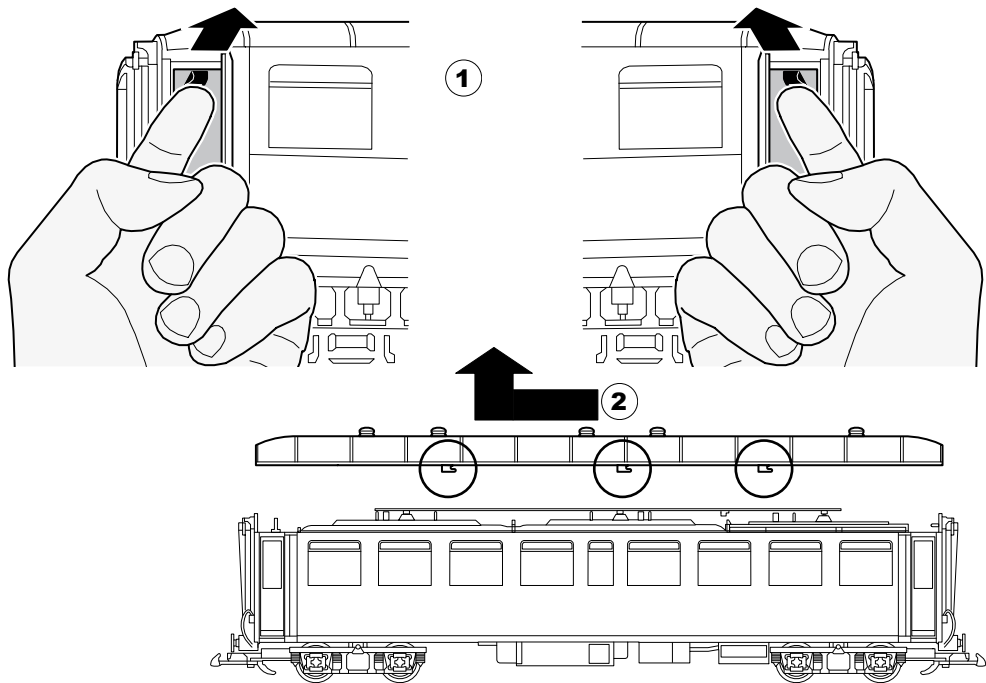
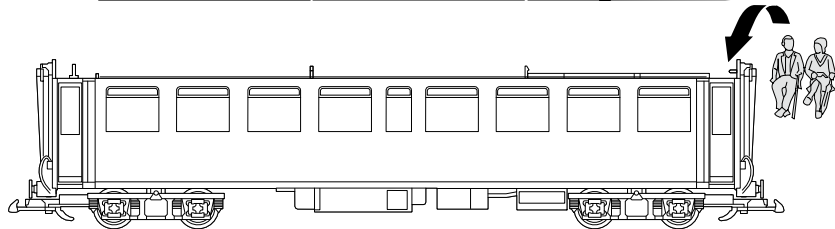
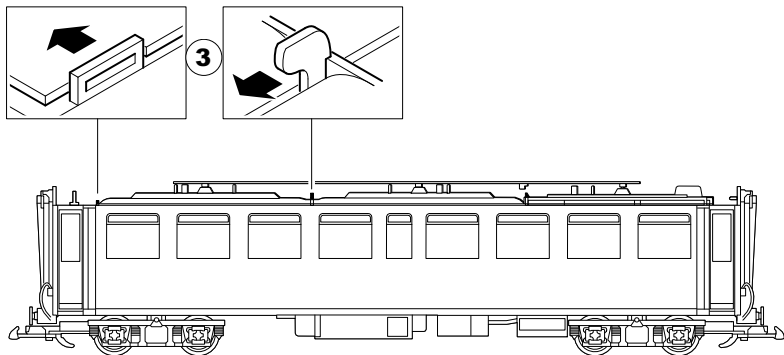



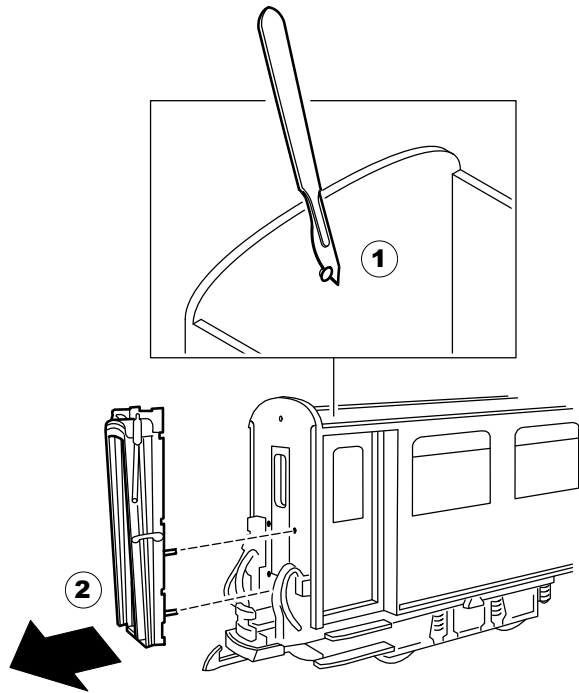


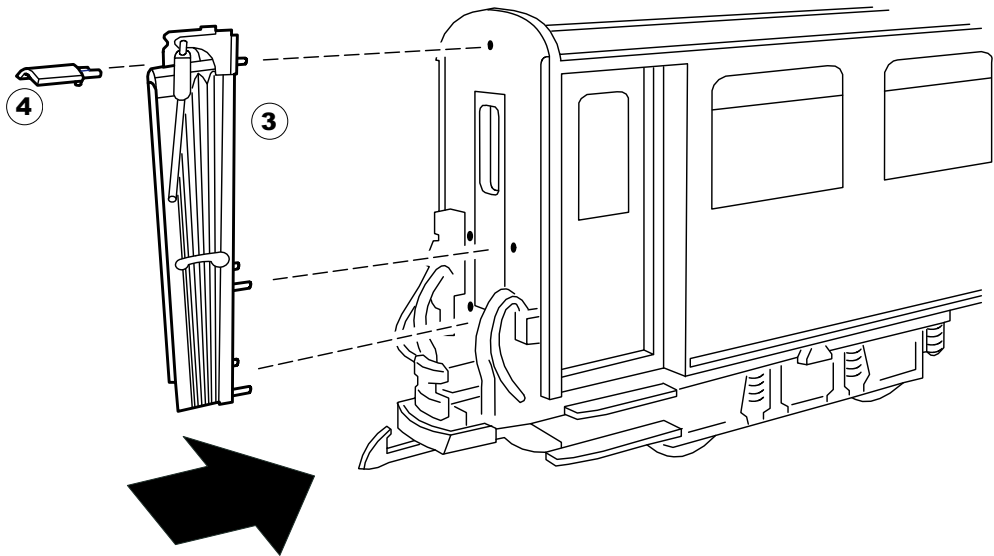
Modell eines
Personenwagens

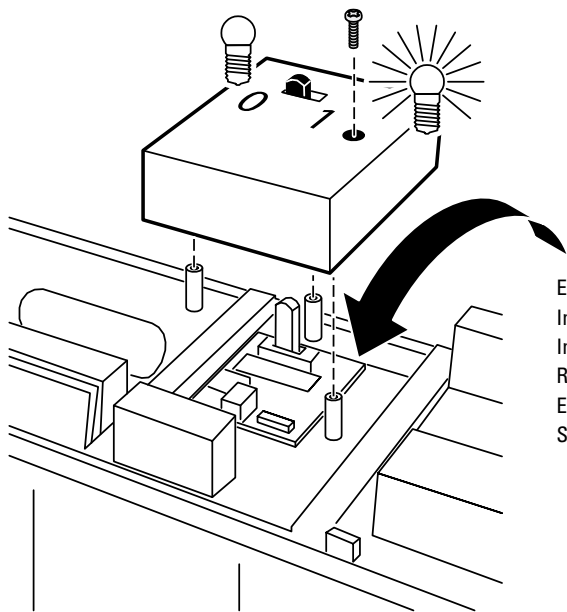




 E130 023





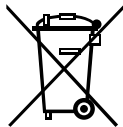



Einbauplatz für Decoder
Installation space for a decoder
Installation d'espace pour un décodeur
Ruimte voor een decoder
Espacio para un decodificador
Spazio per un decodificatore

Due to different legal requirements regarding electro-magnetic compatibility, this item may be used in the USA only after separate certification for FCC compliance and an adjustment if necessary.

Use in the USA without this certification is not permitted and absolves us of any liability. If you should want such certification to be done, please contact us – also due to the additional costs incurred for this.

Gebr. Märklin & Cie. GmbH
Stuttgarter Straße 55 - 57
73033 Göppingen
Germany
www.lgb.de




www.maerklin.com/en/imprint.html

155952/1114/Sm3Ef
Änderungen vorbehalten
© Gebr. Märklin & Cie. GmbH